

Redox-Sensoren

Au-600-O-2-2-PG / Pt-600-O-2-2-PG



Pt-600-O-2-2-PG

Applications



Waste Water Treatment



Disinfection



Process Water

Description

The combination electrodes are equipped with gold or platinum rings for ORP measurement. The sensor is gel filled, not refillable and requires low maintenance.



Redox-Sensoren

Au-600-O-2-2-PG / Pt-600-O-2-2-PG

Technical data

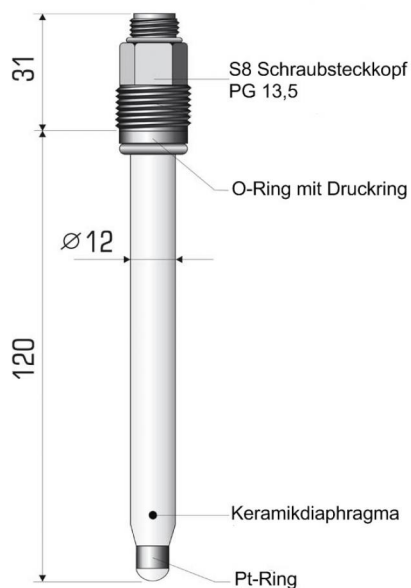
Measuring parameter

ORP -1500.. +1500 mV

Mechanical construction

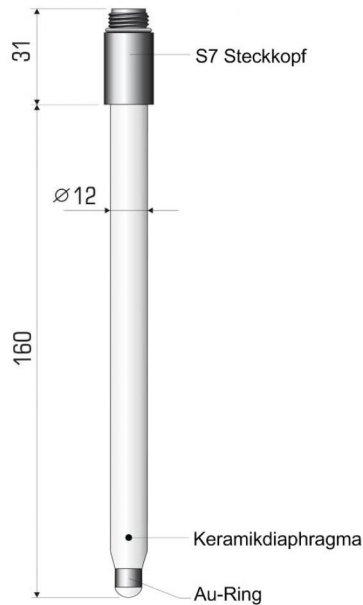
Junction	Ceramic
Shaft material	Glass
Electrode material	Platinum or gold
Reference system	Ag/AgCl/Teпоxgel
Mechanical connection	S7 plug S8 screw plug (PG 13,5)
Electrical connection	2 pole screw connection

Mechanical drawing



Redox-Sensoren

Au-600-O-2-2-PG / Pt-600-O-2-2-PG



Storage version

Article number	Name	Description
24135110K	Au-600-O-2-2	Gold sensor: Ceramic, Tepoxgel, S7 plug, 160 mm
24135120K	Au-600-O-2-2-PG	Gold sensor: Ceramic, Tepoxgel, S8 screw plug (PG 13,5), 120 mm
24135210K	Pt-600-O-2-2	Platinum sensor: Ceramic, Tepoxgel, S7 plug, 160 mm
24135220K	Pt-600-O-2-2-PG	Platinum sensor: Ceramic, Tepoxgel, S8 screw plug (PG 13,5), 120 mm

