

# AH-300-K-2-3(-PG)

pH Sensor

- Low maintenance by gel filling
- Non-sensitive against particles by Pt junction
- Robust by low aggressive media



AH-300-K-2-3(-PG)

## Applications



Process Water



Waste Water Treatment



Cooling And Boiler  
Feed Water

## Description

The AH-300-K-2-3(-PG) is a combination electrode with platinum junction for pH measurement. The sensor is gel filled, not refillable and requires little maintenance. The Sensor is particularly suitable for particle containing and low aggressive media.



# AH-300-K-2-3(-PG)

pH Sensor

## Technical data

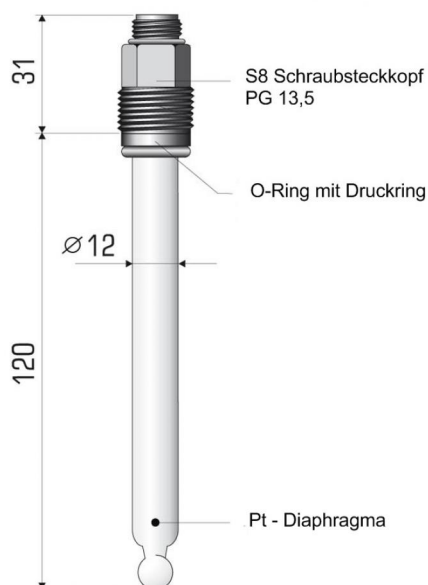
### Measuring parameter

pH-value 0.00.. 14.00 pH

### Mechanical construction

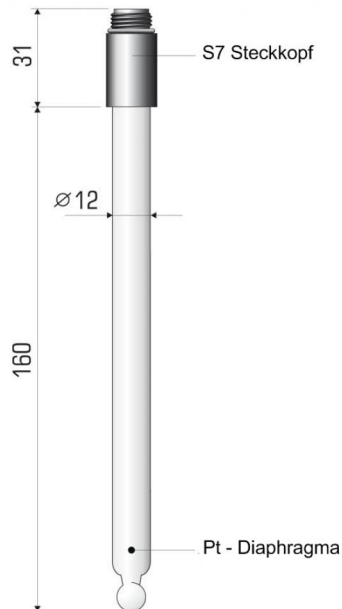
Junction	Platinum
Shaft material	Glass
Electrode material	AH glass
Reference system	Ag/AgCl/ Tepoxgel
Internal buffer	pH 7
Mechanical connection	S7 plug S8 Screwplug (PG 13,5) SP Sixplug (PG 13,5)
Electrical connection	2 pole screw connection Sixplug
Temperature sensor	Pt 100 (optional)

## Mechanical drawing



# AH-300-K-2-3(-PG)

pH Sensor



## Storage version

Article number	Name	Description
24132140K	AH-300-K-2-3	pH sensor: Tepox gel, Pt junction, 160 mm, S7 plug
24132150K	AH-300-K-2-3-PG	pH sensor: Tepox gel, Pt junction, 120 mm, S8 plug (PG 13,5)

